



Product Line Overview

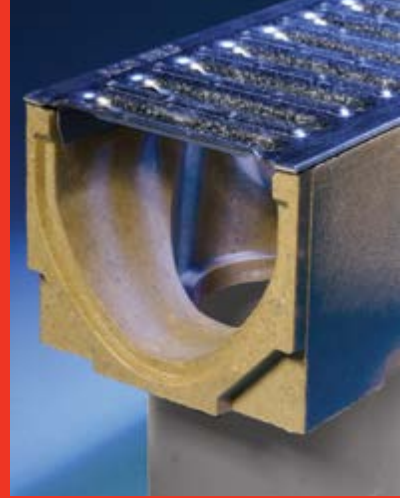
Drainage & Landscape Products



The ACO Group

Founded in 1946, the ACO Group is the world leader and pioneer of modular trench drain systems. ACO drainage systems are used in a variety of applications from domestic environments to airports. ACO products have been used at many prestigious locations.

ACO USA was founded in 1978 and is America's foremost manufacturer of trench drainage products.



Design and Innovation

ACO believes in excellence of design and quality of product. Design features are important to differentiate ACO from its imitators. This detail to design gives users of ACO confidence in purchasing a proven quality product.

ACO Markant

ACO Markant is a range of building products specifically designed for the residential landscaper and do-it-yourself enthusiast. The products offer the same quality and design excellence as ACO's commercial products but are designed to meet the demands and budget of the residential customer.



Common Product Features

- Durable materials
- Easy to install
- Choice of sizes
- Accessories to maximize performance and ease installation



Product Line Overview

HexaLine



HexaLine is an innovative plastic residential trench drain system. It offers an easy installation due to its few simple, push-fit components.

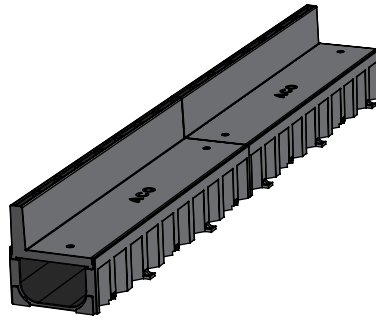


Features

- Choice of black polypropylene channel and black polypropylene, slotted galvanized or ADA stainless steel grate
- Bottom outlet adapter "push-fits" into underside of channel for simple connection to 3" or 4" sewer and drain pipe
- Closing cap has cut-outs that can be removed for drain into soak away/wash
- Outlet cap with 4" spigot
- Corner unit acts as a tee, 90, and cross; allowing up to 4 channels to connect
- Channels & grates are easily cut to required lengths
- Offers 4" internal width



HexaDrain Brickslot



ACO HexaDrain Brickslot provides a discreet slot drainage system for domestic paver installations. It offers an easy installation due to its few simple, push-fit components.



Features

- Black polypropylene channel and slot cover
- 0.4" ADA compliant drainage slot is tapered to prevent blockages
- Bottom outlet adapter "push-fits" into underside of channel for simple connection to 3" and 4" sewer and drain pipe
- Closing cap has cut-outs that can be removed for draining into soak away/wash
- Corner unit provides outlet connection with access for maintenance
- Corner unit acts as a tee, 90, and cross; allowing for up to 4 channels to connect
- Channels & covers are easily cut to required lengths
- Compatible with pavers 2.34" deep



Galaline



ACO Galaline drainage system is designed to provide an effective solution for a wide variety of applications. Suitable for pedestrian/light vehicle traffic applications.

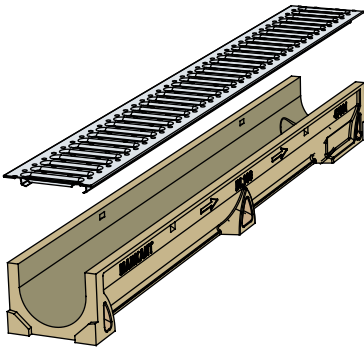


Features

- Black polypropylene channel and choice of slotted galvanized steel or ductile iron grate
- Bottom outlet adapter "push-fits" into underside of channel for simple connection to 4" or 6" drain pipe
- Closing cap or 4" outlet cap
- Side knockout allows 90° channel connection
- Channels & grates are easily cut to required lengths - cutting guide for half meter lengths
- Offers 4" internal width
- 6" depth offers greater hydraulic performance over other 4" residential trench drains



DrainLine 100



DrainLine 100 is a durable polymer concrete trench drain system for use around residential, office, and other light duty areas. Its polymer concrete construction offers excellent mechanical and thermal properties.

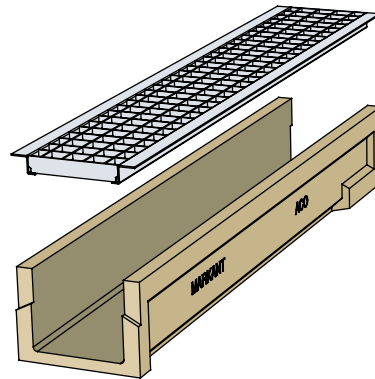


Features

- Polymer concrete body with galvanized steel grates
- Concrete anchors hold channels securely in the ground
- Outlet via bottom outlet, end cap and catch basin connections to suit 3" & 4" sewer & drain & 4" Schedule 40 pipe
- Grates "overlay" channel wall protecting polymer concrete from impact damage
- Offers 4" internal width
- Complete drainage system; meter channels, end caps, outlet end caps and catch basin



DrainLine 150



DrainLine 150 is a durable polymer concrete trench drain system for use around residential, office, and other light duty areas. It is a practical system for draining large amounts of water. Its polymer concrete construction offers excellent mechanical and thermal properties.

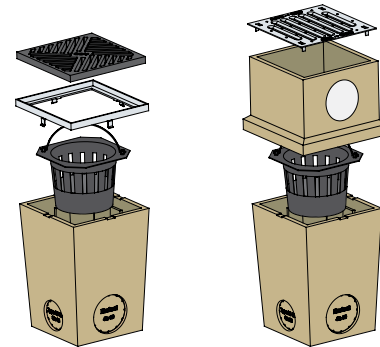


Features

- Polymer concrete body with galvanized steel grates
- Concrete anchors hold channels securely in the ground
- Outlet via bottom outlet, end cap and catch basin connections to suit 4" & 6" sewer & drain & 4" & 6" Schedule 40 pipe
- Grates "overlay" channel wall protecting polymer concrete from impact damage
- Offers 6" internal width
- Complete drainage system; meter and half meter channels, end caps and catch basin



Type 25 PointDrain



PointDrains are ideal drainage solutions for small scale applications such as residential areas, where problems with complex ground slopes are not an issue. Its polymer concrete construction offers excellent mechanical and thermal properties.



Features

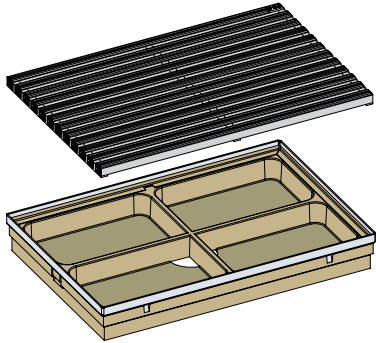
- Ideal for small scale drainage applications
- Polymer concrete body with choice of galvanized steel or iron grate
- Riser allows increased construction depth & inlet option
- Basin has outlet options for each of the following: 3" sewer and drain, 4" sewer and drain, 4" schedule 40



Product Line Overview

ACO Markant

DrainMat



DrainMat is the ideal solution to protect entrances from water and debris. DrainMat can be used for residential and commercial use to protect from rain, snow, sand, and everyday debris.



Features

- Polymer concrete or plastic base (small only)
- Choice of mat styles - aluminum & rubber mat, galvanized mesh mat, or stainless wedge-wire mat
- Integral mat supports cast into base
- Can be used individually or grouped for commercial applications
- 4" schedule 40 outlet for connection to storm drain system
- Choice of base sizes - small or large
- MatFrame option for internal applications



GrassGrid



GrassGrid reinforces grassed or gravel areas allowing traffic without excessive erosion. Run-off is reduced as water permeates through the surface.



Features

- 100% recycled plastic
- Open area (90% at surface) allows maximum grass coverage and drainage
- Easy to cut for irregular edges
- Can also be used with gravel or grass
- Parking space can be marked with simple inserts
- Can be used on slopes up to 5% gradient
- Loading
- 2 anchoring nails per unit - recommended



ACO. The future of drainage.



System Chain

ACO is a global leader in surface water management. With products to collect, clean, hold and release water; addressing all phases of the water cycle and supporting sustainable drainage (SD, SUDS), Low Impact Development (LID) and LEED principles.



Collect

*Trench drains
Catch basins*



Clean

Oil/water separators



Hold

*Detention/Retention
devices*



Release

*Infiltration systems
Flow control*



Other ACO product lines

■ ACO DRAIN

The world's leading modular trench drain system for commercial, industrial and landscape applications.

ACO SPORT

- A range of surface drainage and building accessories for track & field, used at Olympic sites since 1972.

AQUADUCT

- Custom designed and manufactured fiberglass trench drain systems to meet individual project requirements.

ACO INFRASTRUCTURE

- A range of surface drainage products engineered for the unique design and performance demands of highways, urban roads and bridges.

ACO ENVIRONMENT

- A range of separator and spill containment systems manufactured in corrosion resistant polymer concrete.

ACO WILDLIFE

- A tunnel and fence system designed to guide amphibians and other small creatures safely across roads.

ACO Polymer Products, Inc.

East Sales Office

P.O. Box 245
Chardon, OH 44024
Tel: (440) 285-7000
Toll free: (800) 543-4764
Fax: (440) 285-7005

West Sales Office

P.O. Box 12067
Casa Grande, AZ 85130
Tel: (520) 421-9988
Toll Free: (888) 490-9552
Fax: (520) 421-9899

Southeast Sales Office

4211 Pleasant Road
Ft. Mill, SC 29708
Tel: (440) 285-7000
Toll free: (800) 543-4764
Fax: (803) 802-1063

Electronic Contact

info@acomarkant.com
www.acomarkant.com

Follow us on:

